

Data sheet

Hydraulic data

Maximum operating pressure P_N	10 bar
Flow max Q_{max}	3.6 m ³ /h
Minimum suction head at 50 °C m	0.5 m
Minimum suction head at 95 °C m	3 m
Minimum suction head at 110 °C	10 m
Min. fluid temperature T_{min}	-10 °C
Max. fluid temperature T_{max}	95 °C
Max. fluid temperature at max. ambient temperature of +25 °C T_{max}	95 °C
Max. fluid temperature at max. ambient temperature of +40 °C T_{max}	95 °C
Min. ambient temperature T_{min}	-10 °C
Max. ambient temperature T_{max}	40 °C

Motor data

Energy efficiency index (EEI)	0.20
Mains connection	1~230 V ±10%, 50/60 Hz
Rated power P_2	30 W
Min. speed n_{min}	700 1/min
Max. speed n_{max}	4200 1/min
Power consumption $P_{1 min}$	4 W
Power consumption $P_{1 max}$	40 W
Interference emission	EN 61000-6-3
Interference immunity	EN 61000-6-2
Electromagnetic compatibility	EN 61800-3
Threaded cable connection	1 x PG11
Insulation class	F
Protection class	IPX4D

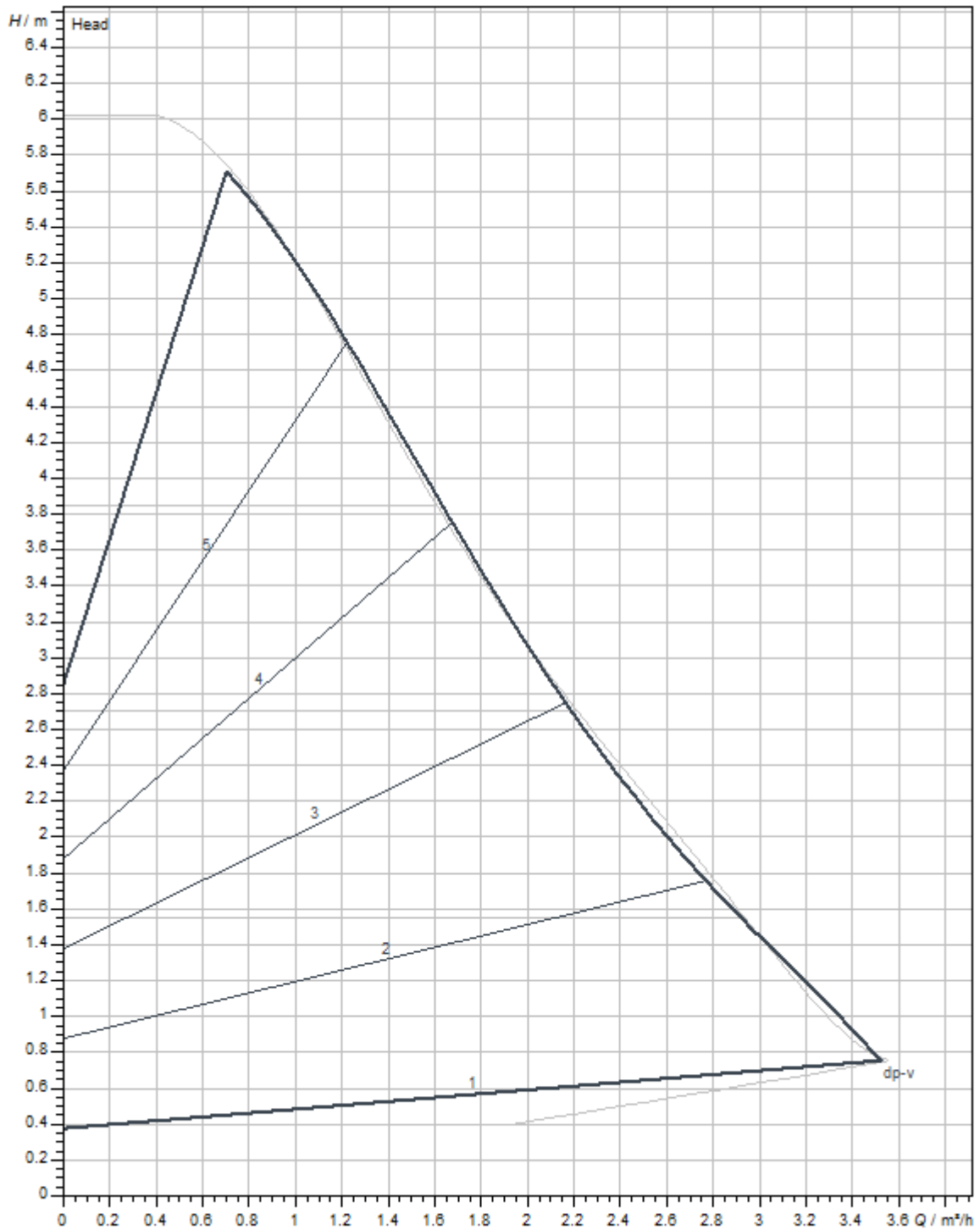
Materials

Pump housing	Cast iron
Impeller	PP-GF40
Shaft	Stainless steel
Bearing	Carbon, metal-impregnated

Installation dimensions

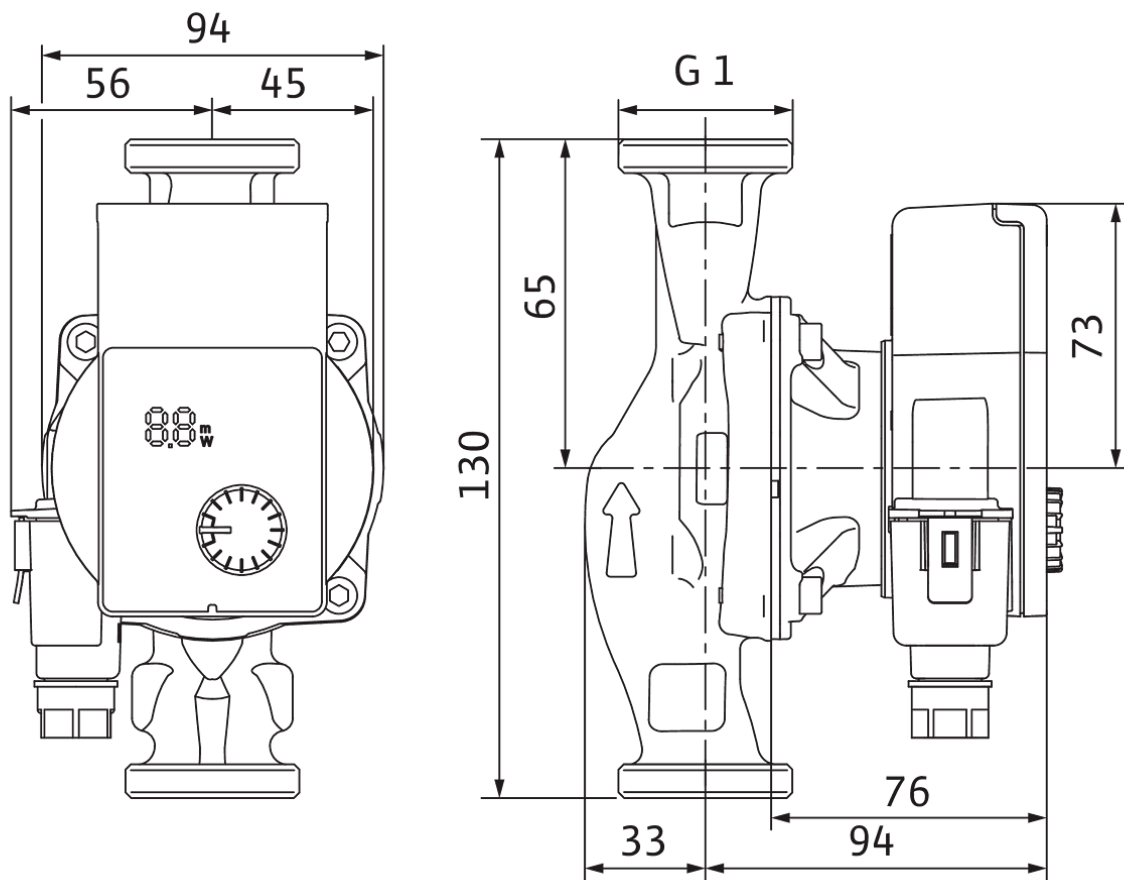
Pipe connection on the discharge side DNd	G 1
Pipe connection on the suction side DNs	G 1
Port-to-port length LO	130 mm

Pump curves

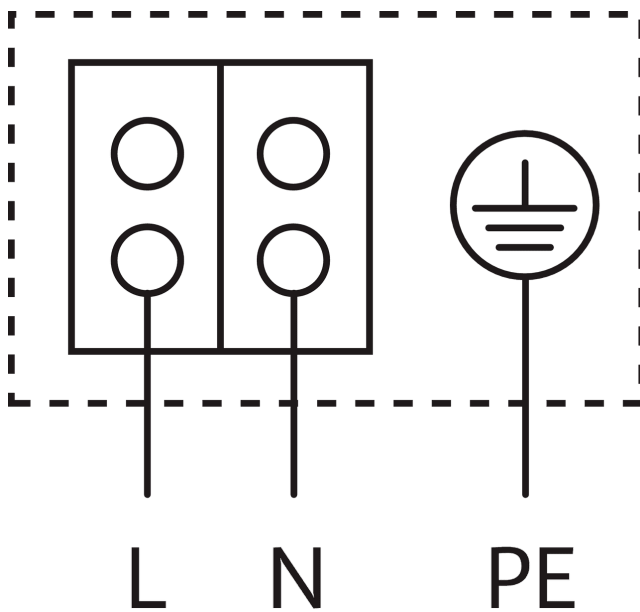


Dimensions and dimensions drawings

Yonos PICO1.0 15/1-6



Wiring diagram



Blocking current-proof motor

Single-phase motor (EM) 2-pole - 1~230 V, 50 Hz

Ordering information

Product data

Brand	Wilo
Product description	Yonos PICO1.0 15/1-6
Article number	4248081
EAN number	4062679181998
Colour	Green
Minimum order quantity	1
Date of sales availability	2021-07-19

Dimension, weight

Length with packaging	194 mm
Length <i>L</i>	138 mm
Height with packaging	105 mm
Height <i>H</i>	102 mm
Width with packaging	174 mm
Width <i>W</i>	131 mm
Gross weight, approx. <i>m</i>	1.8 kg
Net weight, approx. <i>m</i>	2 kg

Packaging

Number per layer	24
Packaging property	Sales packaging
Packaging type	Cardboard box
Pieces per pallet	198

Tender text

High-efficiency pump Wilo-Yonos PICO1.0, electronically controlled. Maintenance-free glandless circulator with screwed connection, blocking-current proof EC motor and integrated electronic power control for continuous differential pressure control. Can be used for all heating and air-conditioning applications.

Control mode can be selected in accordance with the radiator/underfloor heating application.

Standard-equipped with:

- > Preselectable control modes for optimum load adjustment:
 - > Constant differential pressure ($\Delta p\text{-c}$)

- > Variable differential pressure ($\Delta p\text{-v}$)
- > LED display:
 - > Display of delivery head for setting
 - > Display of the current consumption in watts
 - > Display of fault messages (error codes)
 - > Display of the activated pump venting function
- > Manual pump venting function for venting the rotor chamber
- > Integrated motor protection
- > Automatic deblocking function
- > Quick electrical connection with Wilo-Connector

Operating data

Fluid temperature T	-10 °C
Ambient temperature T	-10 °C
Maximum operating pressure PN	10 bar
Minimum suction head at 50 °C m	0.5 m
Minimum suction head at 95 °C m	3 m
Minimum suction head at 110 °C	10 m

Motor data

Energy efficiency index (EEI)	0.20
Interference emission	EN 61000-6-3
Interference immunity	EN 61000-6-2
Mains connection	1~230 V, 50/60 Hz
Power consumption $P_{1\text{ max}}$	40 W
Min. speed n_{min}	700 1/min
Max. speed n_{max}	4200 1/min
Protection class motor	IPX4D
Threaded cable connection	1 x PG11

Materials

Pump housing	Cast iron
Impeller	PP-GF40
Shaft	Stainless steel
Bearing	Carbon, metal-impregnated

Installation dimensions

Pipe connection on the suction side DN_s	G 1
Pipe connection on the discharge side DN_d	G 1
Port-to-port length LO	130 mm

Ordering information

Brand	Wilo
Product description	Yonos PICO1.0 15/1-6
Net weight, approx. m	2 kg
Article number	4248081